



APPROVAL SHEET

3.5" HDD Enclosure

SALES MODEL NO: SP166SU-BK-EU

ENGINEER NO: SH0717SU-BK



Article No. : SP-AP-SH-A032 Issue Date : Oct 11 , 2008 Version : A/0	Audited by
---	-------------------

Checked by	Drafted by
-------------------	-------------------

Spire Corp.

Tel.: +86-755-33823311 Fax: +86-755-33823314

[Http://www.spire-corp.com](http://www.spire-corp.com)

[Http://www.spirepower.com](http://www.spirepower.com)

[Http://www.spirecoolers.com](http://www.spirecoolers.com)



Approval Sheet Revisement Record

SALES MODEL NO: SP166SU-BK-EU

ENGINEER NO: SH0717SU-BK

Article No: SP-AP-SH-A032

Version	Revised Chapter	Description	Revised Date	Drafted by	Audited by	ECN No.
A/0	N/A	First Version	2008-10-11			N/A



Contents

1 Features4

2 Package includes5

3 Specification5

4 Pictures6

5 Detail part specifications7

6 HDD Drawing.....8

7 Assembly Drawing.....9

8 Correlative Certification compliance..... 10



1 Features:

A Description

- 1) 3.5" External Drive Enclosure intended for use on USB2.0 .
- 2) Supports Windows 98/ME/2000/XP/VISTA
- 3) Supports Mac OS 8.6, OS X
- 4) Supports a capacity of 500 gigabytes hard disk
- 5) Supports SATA Hard disk
- 6) Easy installation/plug- play/no jumpers
- 7) Hot swappable
- 8) Power input AC:100-240V
- 9) Self Power consumption +5V and +12V
- 10) Maximum transfer speed at 480 Mbit/sec

B Sales list

NO.	Item	List
1	Package	OK
2	UPC/EAN Code	6943051202846
3	PCS/Carton Box	10
4	Dimension /Carton Box	425x313x250mm
5	Gross Weight /Carton Box	7.6kg
6	Dimension / 1 pcs Box	220*143*79mm
7	Gross Weight / 1 pcs Box	680g
8	AC Input	100-240V
9	DC Output	DC 5V/12V
10	dimension	190*133*32mm
11	weight	230g
12	HDD support	3.5" SATA HDD
13	Transfer interface	USB2.0
14	Support Maximum capacity	750Gbit
15	Maximum transfer speed	480Mbit/sec
16	OS support	Windows 98/ME/2000/XP/VISTA Mac OS 8.6, OS X
17	color	Black
18	Certification	CE /RoHS

2 Package includes:

- 1) USB A TO USB A Cable
- 2) Adapter
- 3) Power Cable
- 4) Screw driver
- 5) Driver CD
- 6) Manual
- 7) Screws



3 Specification

HDD Connector	HDD Size	Transfer Interface	Power	Dimension	Weight
SATA	3.5"	USB	Power adapter	190*133*32 mm	230g

4 Pictures:



Effect view



Open view



Front view



Back view




Top View




Bottom View

5 Detail part specifications


1) Case

Item	Material	
	Case	AL

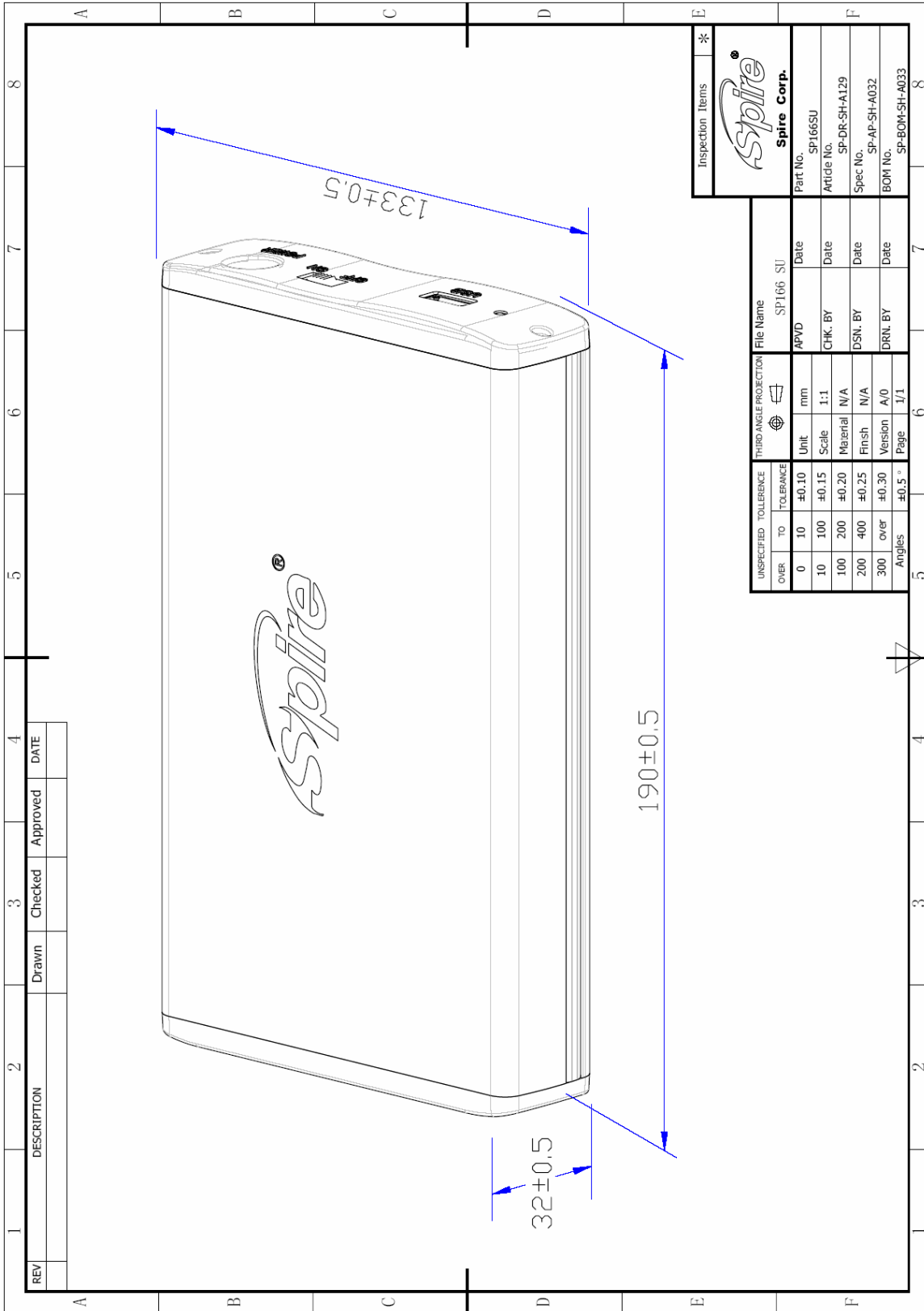
2) PCB

Item	Material	
	PCB	FR-4

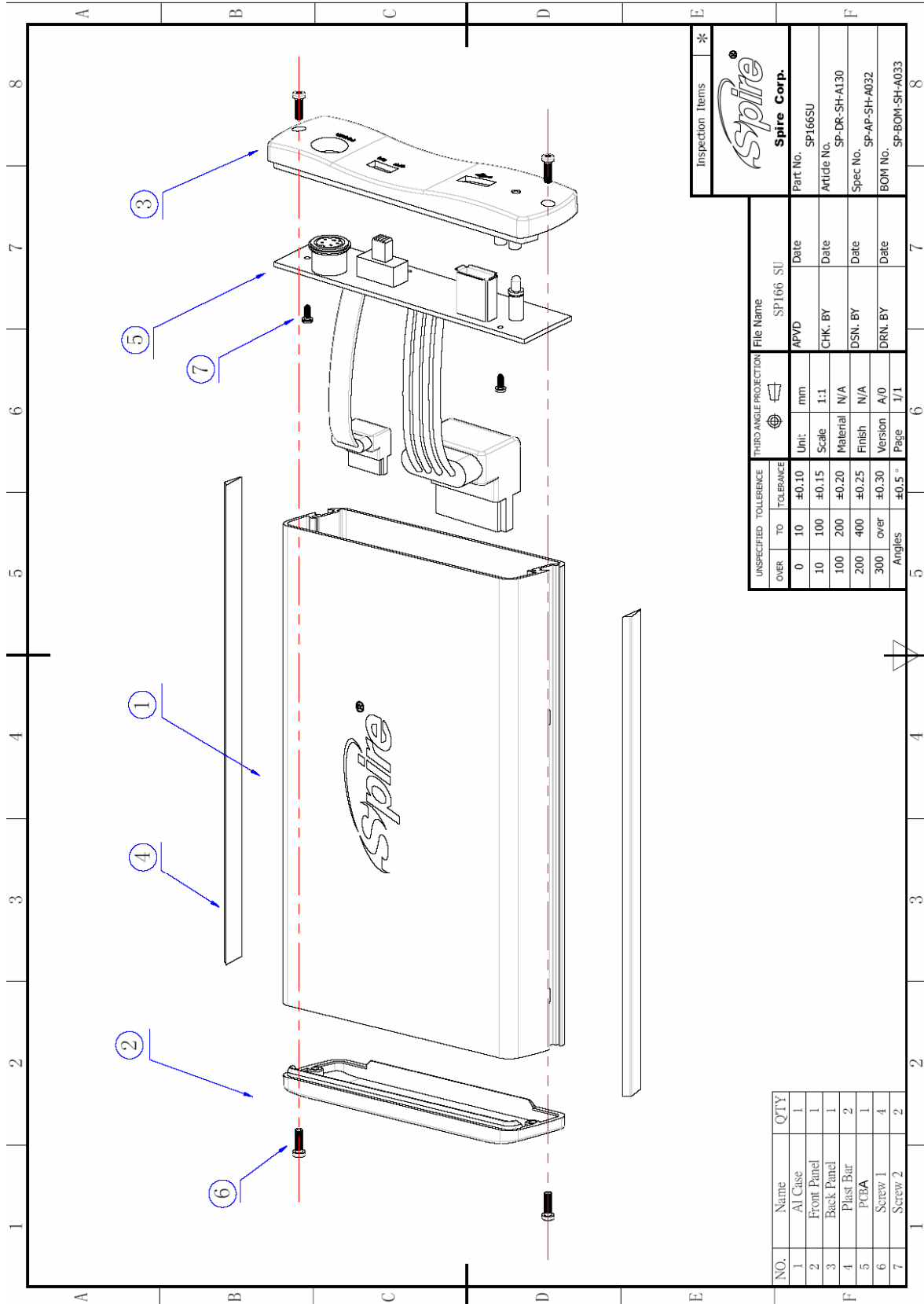
3) Cable

Item	Material	
	USB Cable	N/A

6 HDD Drawing



7 Assembly Drawing



Inspection Items *	
Spire Corp.	
Part No.	SP166SU
Article No.	SP-DR-SH-A130
Spec No.	SP-AP-SH-A032
BOM No.	SP-BOM-SH-A033

UNSPECIFIED TOLERANCE		THROUGH ANGLE PROJECTION		File Name	
OVER	TO	Unit	mm	APVD	Date
0	10	±0.10	1:1	CHK. BY	Date
10	100	±0.15	N/A	DSN. BY	Date
100	200	±0.20	N/A	DRN. BY	Date
200	400	±0.25	A/0	Version	1/1
300	over	±0.30	Page		
Angles		±0.5°			

NO.	Name	QTY
1	AI Case	1
2	Front Panel	1
3	Back Panel	1
4	Plastic Bar	2
5	PCBA	1
6	Screw 1	4
7	Screw 2	2



8 Correlative Certification compliance

Item #	Certification type	Certification Number	Certification listing	Remark
1	CE	A08012905EK	www.aovt.com	
2	FCC	A08012906FK	www.aovt.com	



Spire Corp.

Spire Coolers Corp.
1~3rd floor, No.D BLDG, Bantian Str.
Buji town, Longgang Area
Shenzhen, China
Tel.: +86-0755-33823311
Fax: +86-0755-33823314
W.: www.spire-corp.com



RoHS Declaration of Conformity

Spire hereby declares under our sole responsibility that the product:

Part number: **SP166SU-BK-EU**
Codename: HDD Enclosure

Description:



- 1) Supports Windows98/ME/2000/XP/VISTA/Windows7/Mac OS 8.6 or above
- 2) Supports 3.5" SATA Hard disk up to 2TB
- 3) Easy installation/plug- play/no jumpers
- 4) Power input AC:100-240V
- 5) Self Power consumption +5V and +12V
- 6) Maximum transfer speed at 480M/sec

Is tested and approved in compliance with the EUROPEAN COUNCIL ROHS DERECTIVE.

(Restriction of Hazardous Substances) which will restrict the use of certain substances in electrical and electronic products: including lead (Pb), mercury, cadmium, hexavalent chromium, and certain halide-containing flame retardants. The directive applies to all electrical and electronic products, their component parts that are placed on the market after July 1, 2006.

Spire Coolers Corp.
PM Engineering Dept.



Buji, Shenzhen