



# APPROVAL SHEET

## 3.5" HDD Enclosure

SALES MODEL NO: SP166SE-BK-EU

ENGINEER NO: SH0717SE-BK



<b>Article No. : SP-AP-SH-A053</b> <b>Issue Date : Aug 31 , 2009</b> <b>Version : A/0</b>	<b>Audited by</b>
---	-------------------

<b>Checked by</b>  Cheney	<b>Drafted by</b>  Cash
---------------------------------	-------------------------------

## Spire Corp.

Tel.: +86-755-33823311 Fax: +86-755-33823314

[Http://www.spire-corp.com](http://www.spire-corp.com)

[Http://www.spirepower.com](http://www.spirepower.com)

[Http://www.spirecoolers.com](http://www.spirecoolers.com)



Approval Sheet Revisement Record

SALES MODEL NO: SP166SE-BK-EU

ENGINEER NO: SH0717SE-BK

Article No: SP-AP-SH-A053

Version	Revised Chapter	Description	Revised Date	Drafted by	Audited by	ECN No.
A/0	N/A	First Version	2009-08-31			N/A



**Contents**

**1 Features .....4**

**2 Package includes .....5**

**3 Specification .....5**

**4 Pictures .....6**

**5 Detail part specifications .....7**

**6 HDD Drawing.....8**

**7 Assembly Drawing.....9**

**8 Correlative Certification compliance..... 10**



**1 Features:**

**A Description**

- 1) 3.5" External Drive Enclosure intended for use on USB2.0 .
- 2) Supports Windows 98/ME/2000/XP/VISTA
- 3) Supports Mac OS 8.6, OS X
- 4) Supports a capacity of 1000 gigabytes hard disk
- 5) Supports SATA Hard disk
- 6) Easy installation/plug- play/no jumpers
- 7) Hot swappable
- 8) Power input AC:100-240V
- 9) Self Power consumption +5V and +12V
- 10) Maximum transfer speed at 480 Mbit/sec

**B Sales list**

NO.	Item	List
1	Package	OK
2	UPC/EAN Code	6943051202648
3	PCS/Carton Box	10
4	Dimension /Carton Box	425x313x250mm
5	Gross Weight /Carton Box	7.6kg
6	Dimension / 1 pcs Box	220*143*79mm
7	Gross Weight / 1 pcs Box	680g
8	AC Input	100-240V
9	DC Output	DC 5V/12V
10	dimension	190*133*32mm
11	weight	230g
12	HDD support	3.5" SATA HDD
13	Transfer interface	USB2.0/ESATA
14	Support Maximum capacity	1000Gbit
15	Maximum transfer speed	480Mbit/sec
16	OS support	Windows 98/ME/2000/XP/VISTA Mac OS 8.6, OS X
17	color	Black
18	Certification	CE /FCC

**2 Package includes:**

- 1) USB A TO USB A Cable
- 2) Adapter
- 3) Power Cable
- 4) Screw driver
- 5) Driver CD
- 6) Manual
- 7) Screws
- 8) ESATA Cable



**3 Specification**


HDD Connector	HDD Size	Transfer Interface	Power	Dimension	Weight
SATA	3.5"	USB	Power adapter	190*133*32 mm	230g

## 4 Pictures:




**5 Detail part specifications**


1) Case

Item	Material	
	Case	AL

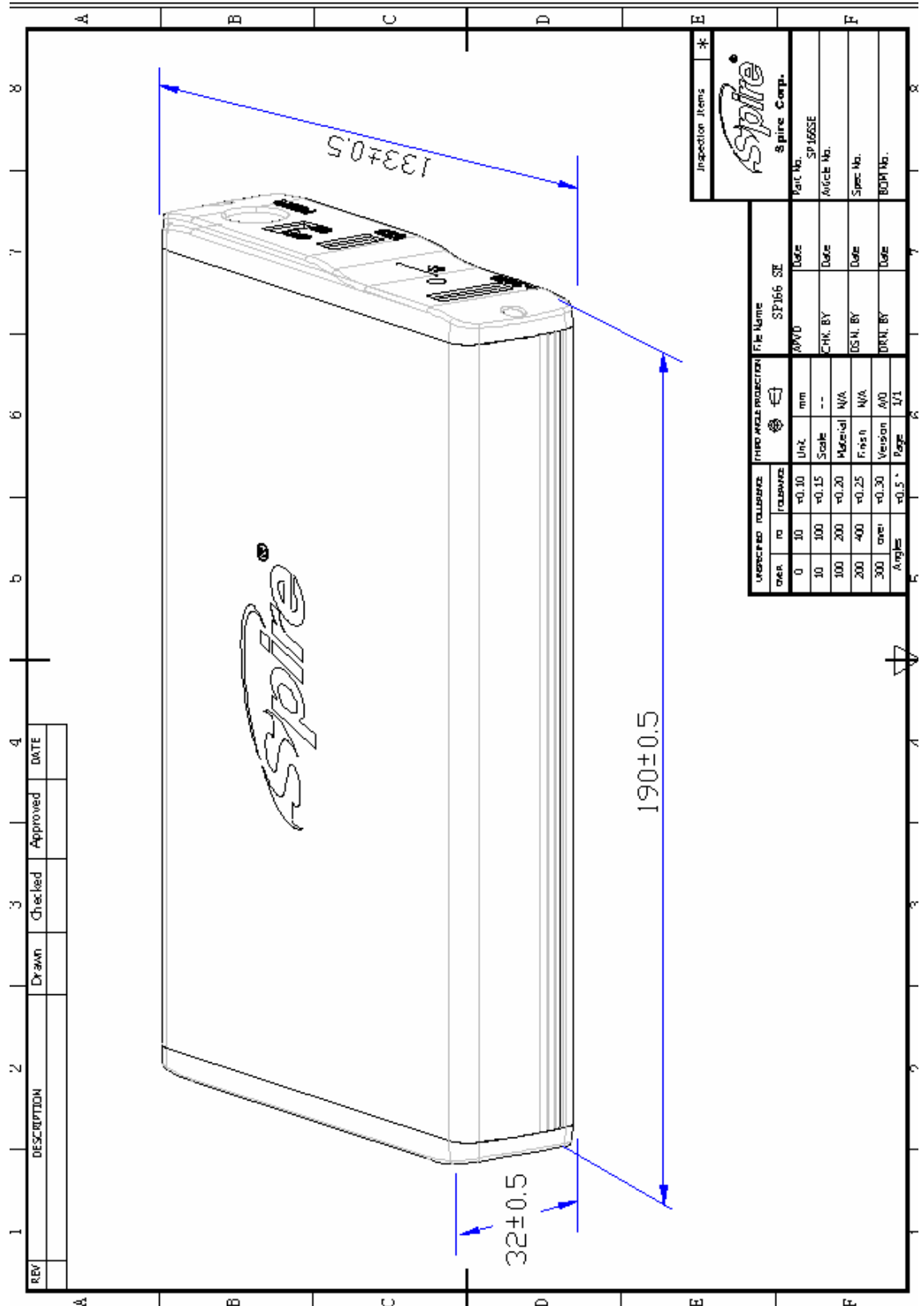
2) PCB

Item	Material	
	PCB	FR-4

3) Cable

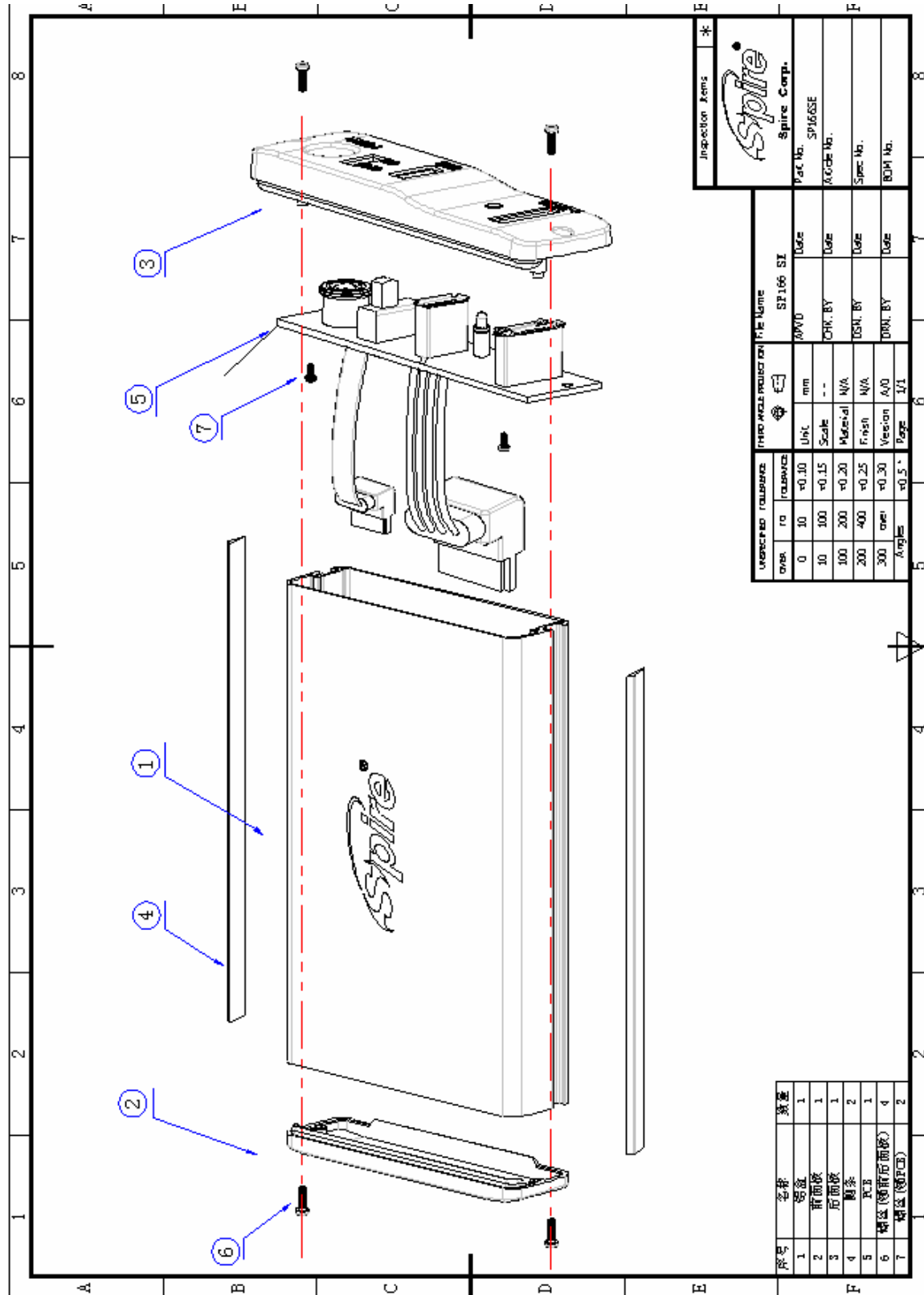
Item	Material	
	USB Cable	N/A

6 HDD Drawing





7 ssembly Drawing



Inspection Items	*
Pat. No.	SP166SE
A Code No.	
Spec. No.	
BOH No.	

UNSCIPED	TOLERANCE	UNIT	PROJ. FILE NAME
0	±0.10	mm	SP166 SE
10	±0.15	Scale	AWD
100	±0.20	Material	CHK. BY
200	±0.25	Finish	DSH. BY
300	±0.30	Version	DRW. BY
Angles	±0.5°	Page	3/1

序号	名称	数量
1	前盖	1
2	后盖	1
3	PCB	1
4	电池	2
5	螺丝(前盖后盖)	4
6	螺丝(接口)	2



**8 Correlative Certification compliance**

<b>Item #</b>	<b>Certification type</b>	<b>Certification Number</b>	<b>Certification listing</b>	<b>Remark</b>
1	CE	A08012905EK	<a href="http://www.aovt.com">www.aovt.com</a>	
2	FCC	A08012906FK	<a href="http://www.aovt.com">www.aovt.com</a>	



Spire Corp.

Spire China Electric Corp., Ltd  
Bldg B 7~8FL Houhai Blvd  
Dongjiaotou Industrial Park  
Shekou, Nanshan area  
518067 Shenzhen, China  
Tel: +86-0755-26801568 Fax: +86-0755-26801561  
Web: www.spire-corp.com / www.spirepower.com



### RoHS Declaration of Conformity

Spire hereby declares under our sole responsibility that the product:

Part number: **SP166SE-BK-EU**  
Codename: HDD Enclosure

Description:

- 1) Supports WindowsME/2000/XP/VISTA/Windows7/Mac OS 10.0or above
- 2) Supports 3.5" SATA Hard disk up to 2000G
- 3) Easy installation/play- play/no jumpers
- 4) Hot swappable
- 5) Self Power consumption +5V
- 6) Maximum transfer speed at 3G/sec



Is tested and approved in compliance with the EUROPEAN COUNCIL ROHS DERECTIVE.

(Restriction of Hazardous Substances) which will restrict the use of certain substances in electrical and electronic products: including lead (Pb), mercury, cadmium, hexavalent chromium, and certain halide-containing flame retardants. The directive applies to all electrical and electronic products, their component parts that are placed on the market after July 1, 2006.

Spire Coolers Corp.  
PM Engineering Dept.

Buji, Shenzhen

